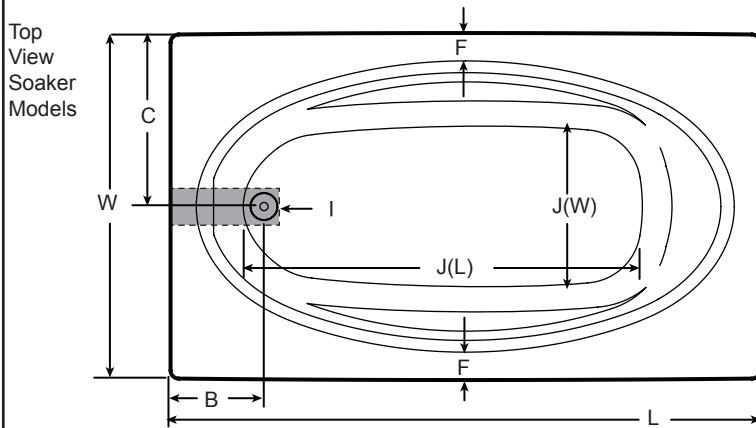


Signature™ Collection Oval in Rectangle Drop-in Soaker and Whirlpool Bathtubs

Letter	Description	SOAKER MODELS		WHIRLPOOL MODELS	
		J4D6042B	J4D7242B	J4D6042W	J4D7242W
-	Drain/Motor Location	LH / RH Drain		LH / RH Drain & Right or Left Side Motor	
-	Cutout	58" x 40" (1473 mm x 1016 mm)	70" x 40" (1778 mm x 1016 mm)	58" x 40" (1473 mm x 1016 mm)	70" x 40" (1778 mm x 1016 mm)
-	Total Weight	863 lbs (391 kg)	966 lbs (438 kg)	879 lbs (399 kg)	982 lbs (445 kg)
-	Floor Loading	49.3 lb/ft ² (241 kg/m ²)	46 lb/ft ² (255 kg/m ²)	50.2 lb/ft ² (245 kg/m ²)	46.7 lb/ft ² (228 kg/m ²)
-	Operating Gallons (Max)	66 gallons (250 liters)	78 gallons (295 liters)	66 gallons (250 liters)	78 gallons (295 liters)
-	Product Weight	63 lbs (29 kg)	66 lbs (30 kg)	79 lbs (36 kg)	82 lbs (37 kg)
-	Soaking Depth	15" (381 mm)		15" (381 mm)	
L	Outer Length	60" (1524 mm)	72" (1829 mm)	60" (1524 mm)	72" (1829 mm)
W	Outer Width	42" (1067 mm)		42" (1067 mm)	
H	Overall Height	21" (533 mm)		21" (533 mm)	
A	Overflow Height	16.25" (413 mm)		16.25" (413 mm)	
B	Long Edge to Drain Center	10.40" (264 mm)	11.40" (290 mm)	10.40" (264 mm)	11.40" (290 mm)
C	Short Edge to Drain Center	21" (533 mm)		21" (533 mm)	
D	Drain Shoe Length	8.40" (213 mm)	9.40" (239 mm)	8.40" (213 mm)	9.40" (239 mm)
E	Deck/Flange Height	2" (51 mm)		2" (51 mm)	
F	Deck Width	3" (76 mm)		3" (76 mm)	
G	Service Access Dimensions	N/A		12" x 18" (305 mm x 457 mm)	
I	Floor Cutout for Drain	12" x 4" (305 mm x 102 mm)			
J	Interior Dimensions (bottom of bath) J(L) x J(W)	42" x 24" (1067 mm x 610 mm)	52.5" x 22" (1334 mm x 559 mm)	42" x 24" (1067 mm x 610 mm)	52.5" x 22" (1334 mm x 559 mm)

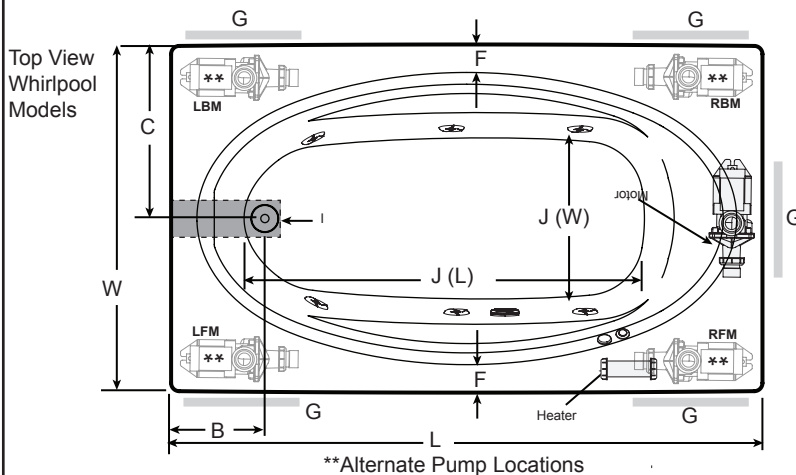
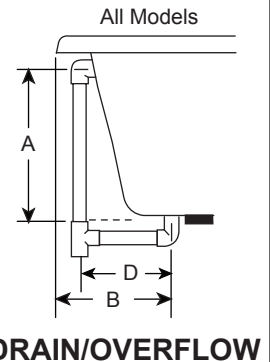
WHIRLPOOL MODELS	
Each component requires a separate, dedicated GFCI protected circuit	
Model with components	GFCI Outlet (60Hz)
Motor/Pump	120V 15A
Heater (if available)	120V 15A

KEY DIMENSIONS* [NOTE: The overall dimensions are nominal with a tolerance of +0 and - .25" (6mm).]

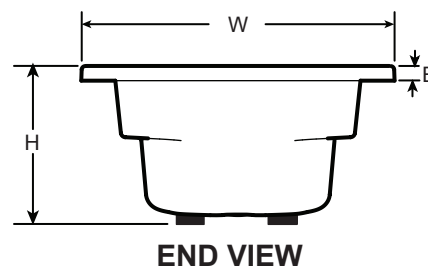
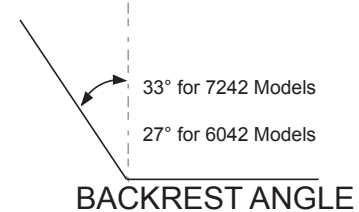


NOTE

When ordering integral 3-tile flange (J4T), flange height on 3-tile flange is 1.25" (32mm) from deck.



**Alternate Pump Locations



NOTE: Drawings not to scale.